

SW 630-ST



Cutting in chip breaker slots on metal cutting HSS- circular saw blades and carbide or cermet tipped blades up to 630 mm diameter



- + Use of CBN grinding wheels and water coolant
- + All control elements of the automatic slot grinder are clear and easily accessed
- + Short set up and grinding times

Working method

A pre sharpened saw blade is clamped into the machine. The reciprocating mechanism for alternate slot cutting and the depth of the chip breaker slots are set by the means of adjusting screws. The values for alternate slot cutting can be checked by a dial gauge.

The built in electronic teeth counter stops the machine automatically after the number of preset teeth are completed. The machine is fitted with an air operated high speed grinding spindle.

The standard grinder is for wet grinding. The machine is also suitable for sawblades with variable tooth pitch.



Fast saw blade tensioning system

Technical data

Working range

Saw blade diameter	165 – 630 (650) mm, (optionally from Ø 140 mm)
Tooth pitch	3 – 50 mm (also variable tooth pitch)
Saw blade thickness	6 mm
Rate of grinding	approx. 7 – 50 tooth/min.

Grinding wheels

CBN	Ø 25 or 30 mm
Bore size	Ø 8 mm
Thickness	(0.2) / 0.3 / 0.4 / 0.5 mm
Grinding speed	approx. 30000 U/Min.

Air requirements

Compressed air supply (buyer's care) min. 6 bar (about 85 p.s.i.), 225 l/min.

Electrical installation

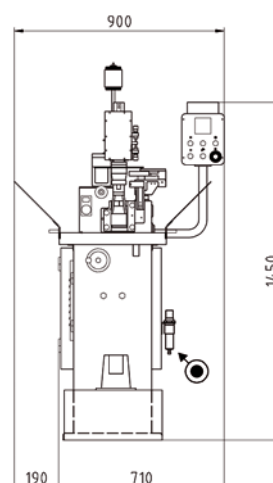
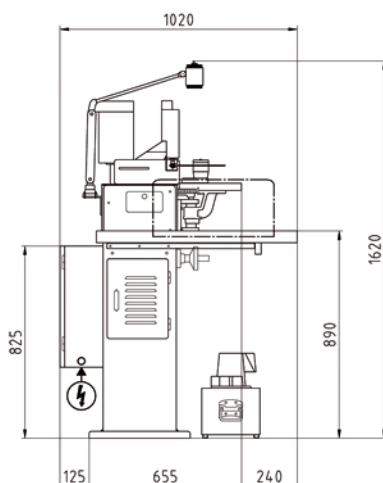
Machine input power	approx. 0.4 kVA
---------------------	-----------------

Weight

Machine	approx. 180 kg
---------	----------------

Dimensions (W x D x H)

900 x 1020 x 1450 mm



Loroch GmbH – Ein Unternehmen der VOLLMER Gruppe
 Josef-Loroch-Str. 1, 69509 Mörlenbach, Germany
 phone +49 (0)6209 7159-50, fax +49 (0)6209 7159-38
 info@loroch.de, www.loroch.de
 Technical changes reserved | 180310-1

More Information
and product videos

Loroch
sharp solutions!

